

1×2 CWDM Component

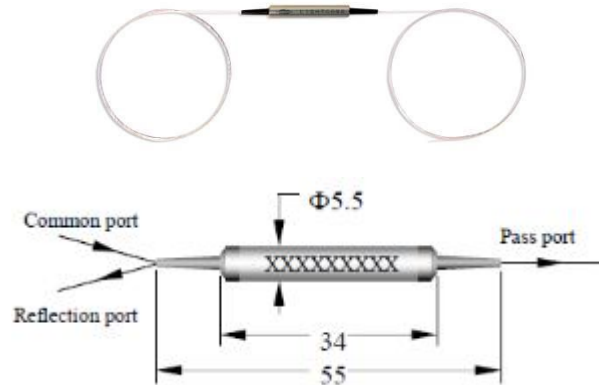
CWDM components are based on proven thin-film filter technology and can be used in multi-channel CWDM module. CWDM module is cascaded with 1×2 CWDM components.

Key Features

- Wide pass band
- High isolation
- Low insertion loss
- High stability and reliability

Applications

- CWDM systems



Specifications

Parameter		CWDM Component	CWDM Module		
		1×2	4 Channels	8 Channels	16 Channels
Central wavelength (nm)		1271, 1291, 1311, 1331, 1351, 1371, 1391, 1411, 1431, 1451, 1471, 1491, 1511, 1531, 1551, 1571, 1591, 1611			
Operating wavelength (nm)		1260~1460 or 1460~1620 or 1260~1620			
Insertion Loss*	Transmission	≤0.6			
	Reflection	≤0.4(@1260~1460 or 1460~1620)	≤1.8	≤2.5	≤3.5
		≤0.6(@1260~1620)			
Channel space (nm)		20			
Channel bandwidth (nm)		$\lambda_c \pm 6.5$			
Channel flatness (dB)		≤0.4			
Isolation (dB)	Demux adjacent channel	≥30			
	Demux non-adjacent channel	≥40			
	Mux or reflection channel	≥15			
Directivity (dB)		≥50			
Return loss(dB)	With APC & no connector	≥50			
	With PC connector	≥45			
PDL (dB)		≤0.15			
Insertion loss thermal stability (dB/°C)		≤0.005			
Power handling (mW)		≤500			
Operating temperature (°C)		-5 ~ +70			
Storage temperature (°C)		-40 ~ +85			
Dimensions (mm)		Φ5.5× L34	100×80×10	125×96×16	141×115×18

*The above specification is without connector

*Other specifications can be made on customer request.



Ordering Information

CWDM-X-XXX-TXXXX-X-X-X-XX/XXX-XX*XX

